



SUB-SOILER

High Speed Machine For Sub-Soiling Up To 12 Inches In Depth



HAWKINS[®]

Manufacturing, Inc.

Dedicated To Making The World's Best Farmers Better

2120 East 4th Avenue • Holdrege, Nebraska 68949

800-382-6178 • 308-995-4446 • Fax 308-995-4315

email: hawkins@hawkinsmfg.com • www.hawkinsmfg.com

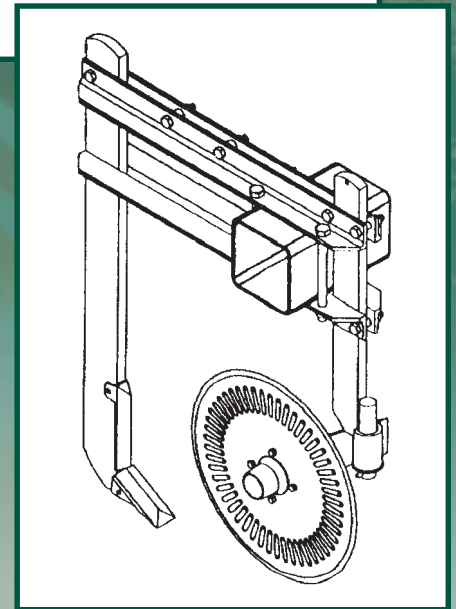
SUB-SOILER

High Speed Machine For Sub-Soiling Up To 12 Inches In Depth

The HAWKINS SUB-SOILER is designed for sub-soiling between standing row crops, pasture renovation, and hay ground work. Water penetration is greatly improved and shows by increased yields and a reduction of water requirements. The HAWKINS SUB-SOILER will loosen soil up to 12" in depth without drying out the ground. The straight shank design of the HAWKINS SUB-SOILER pulls up small clods and leaves little ground disturbance unlike the parabolic ripper shank. Coulters are available when needed for cutting through high trash residue and weld-on tubes are easily attached for any fertilizer application needs. The HAWKINS SUB-SOILER will do away the compacted fields and give a more productive piece of ground.



- Strong 1" x 4" High Carbon Shanks
- Available With or Without 20" Coulters
- 4 Row Through 16 Row 30" Sizing
- Penetrates Up to 12 Inches
- Chrome Points and Wear Shins



HAWKINS[®]
Manufacturing, Inc.